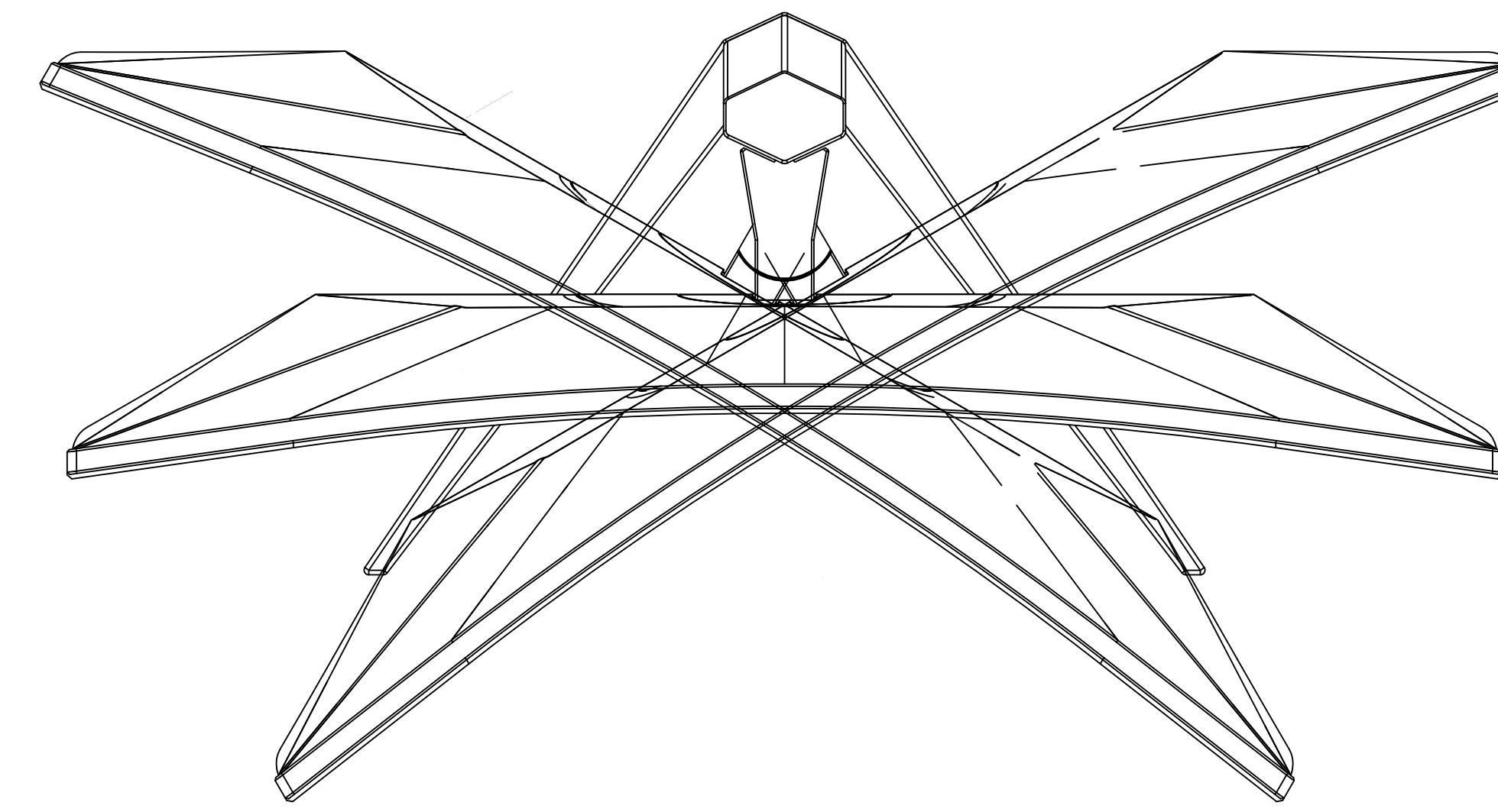
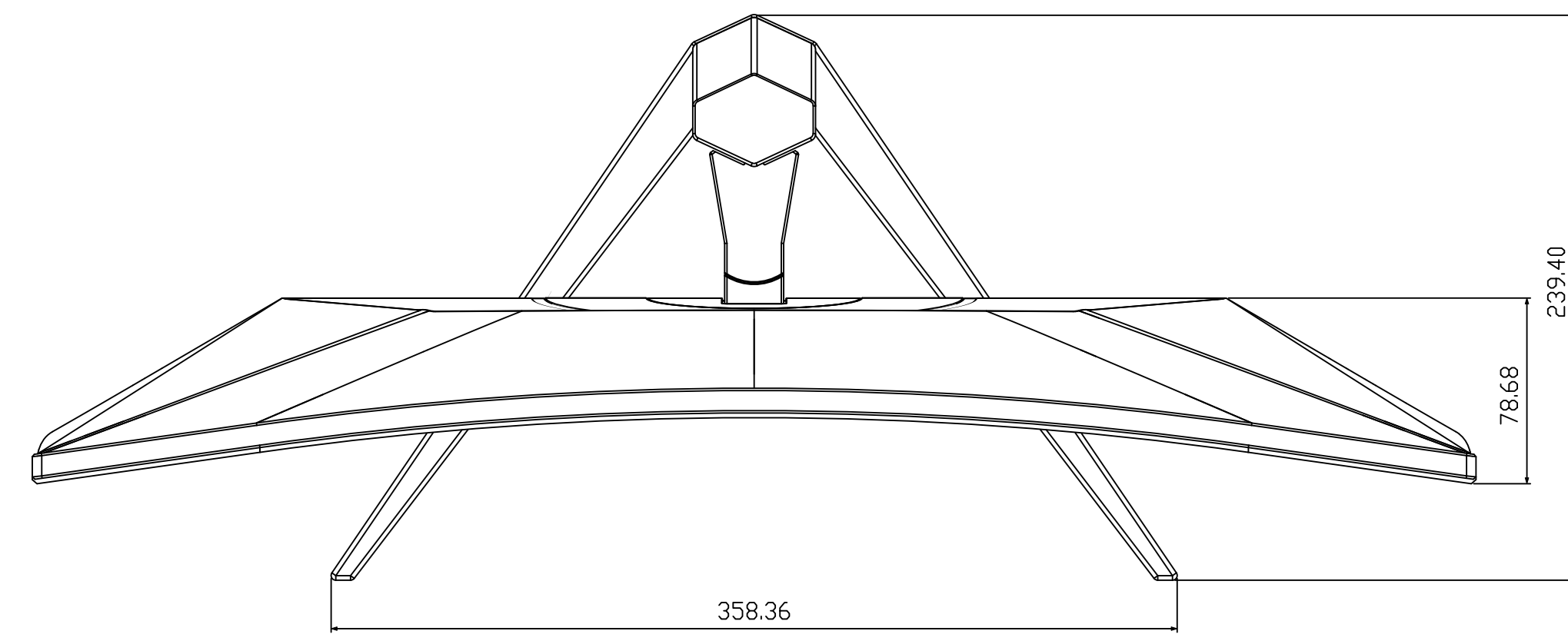
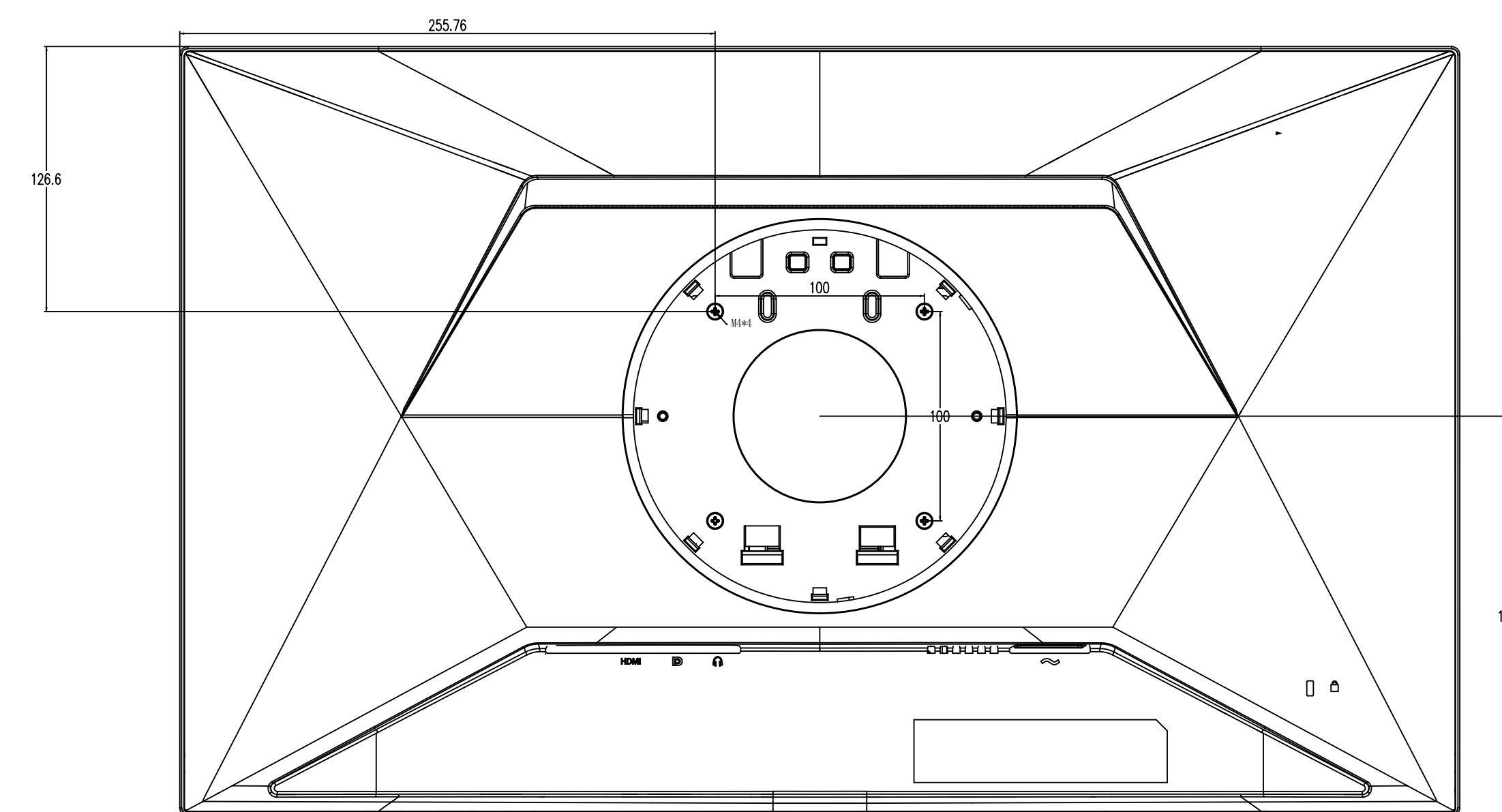
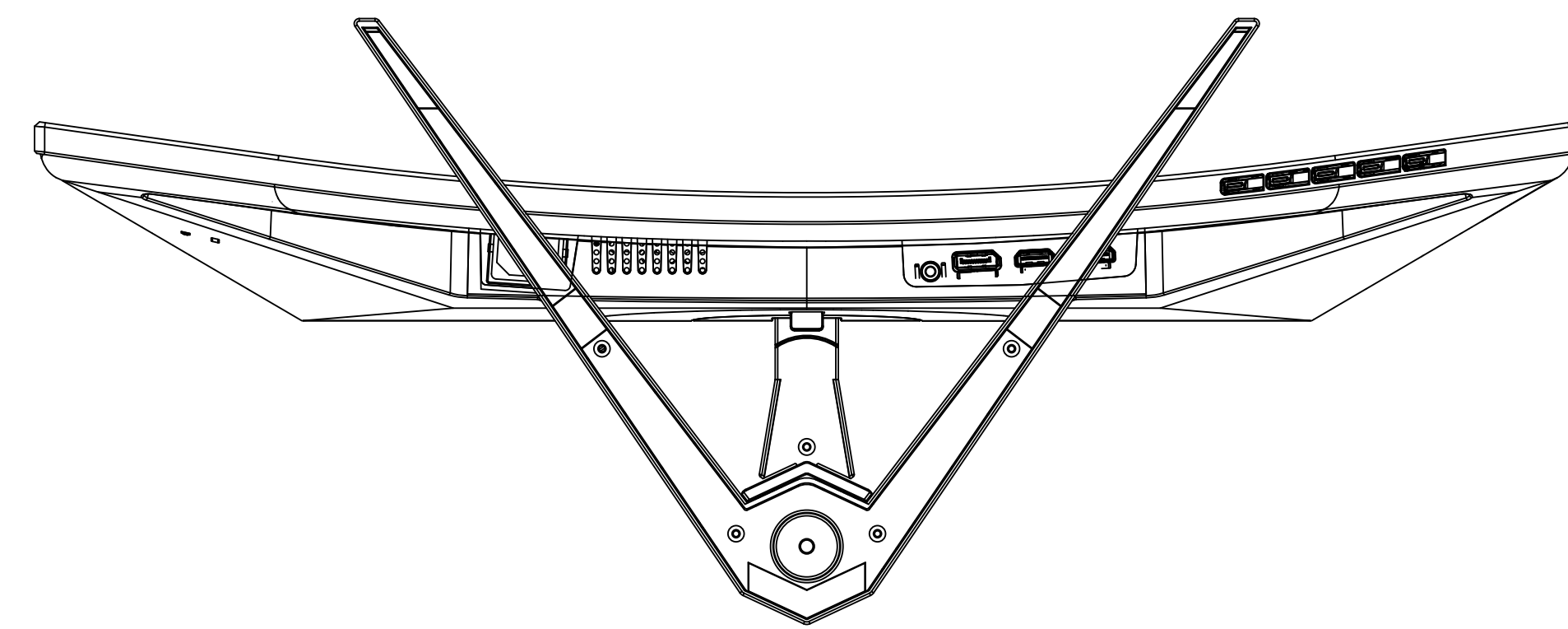
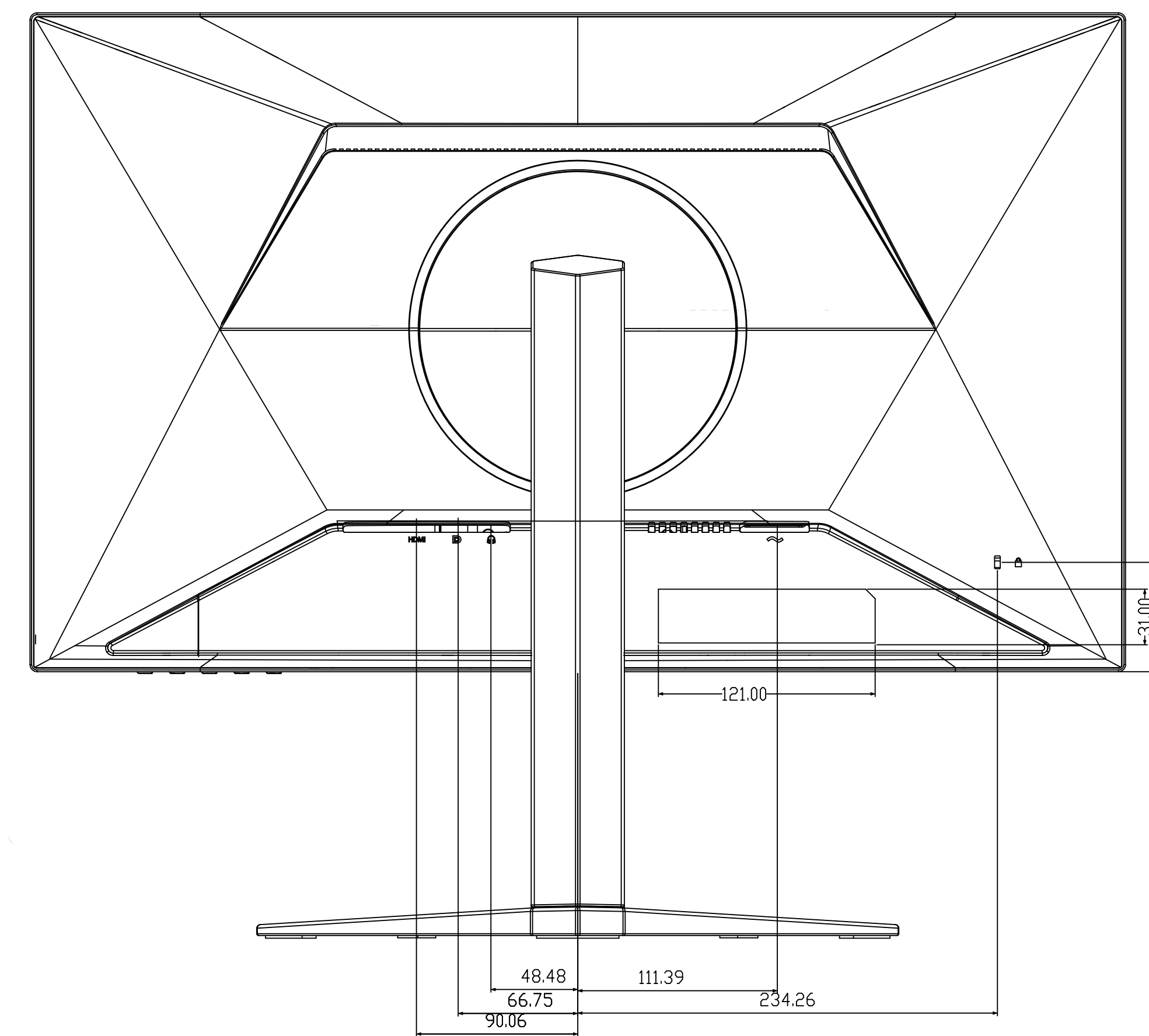
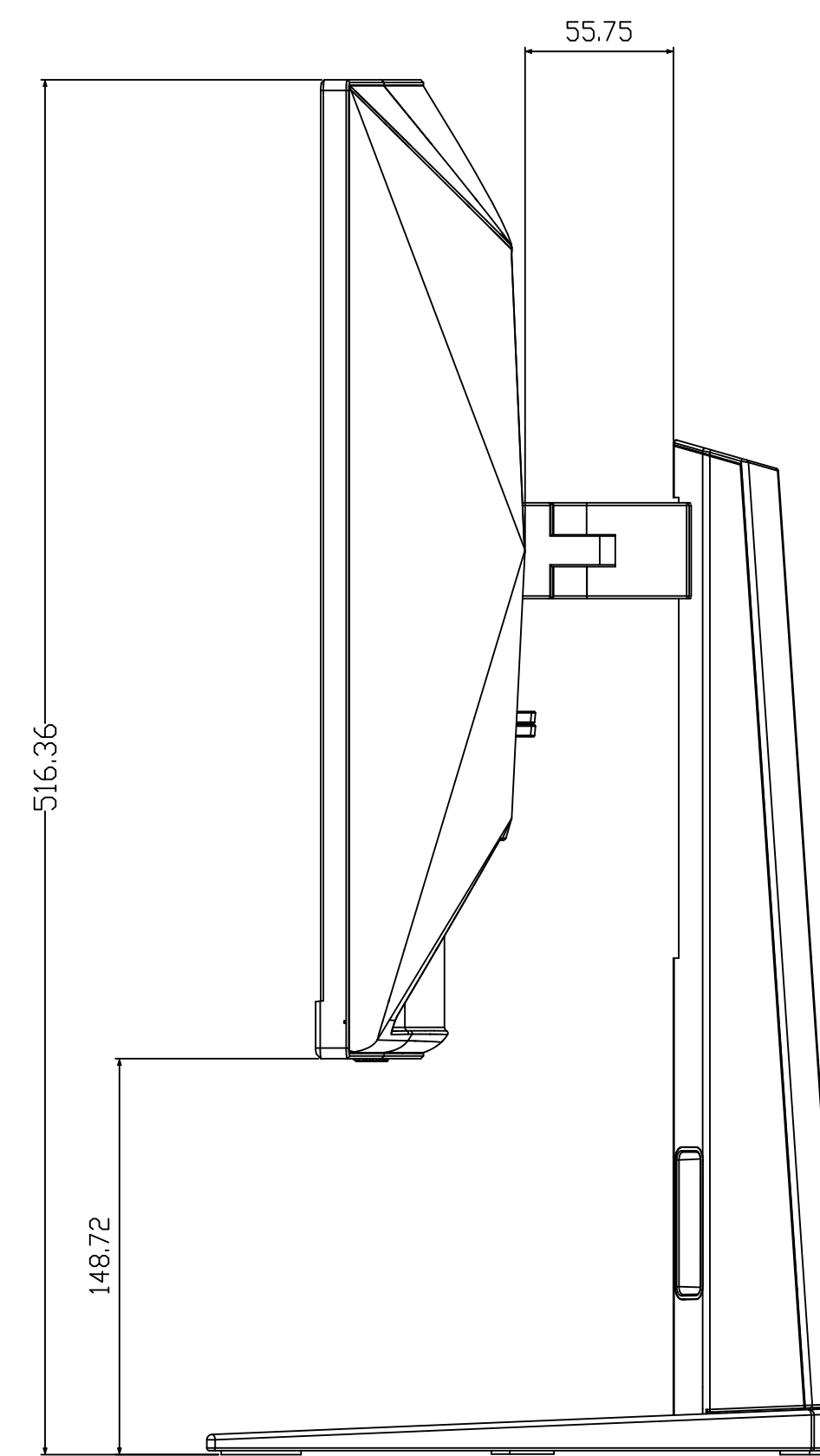
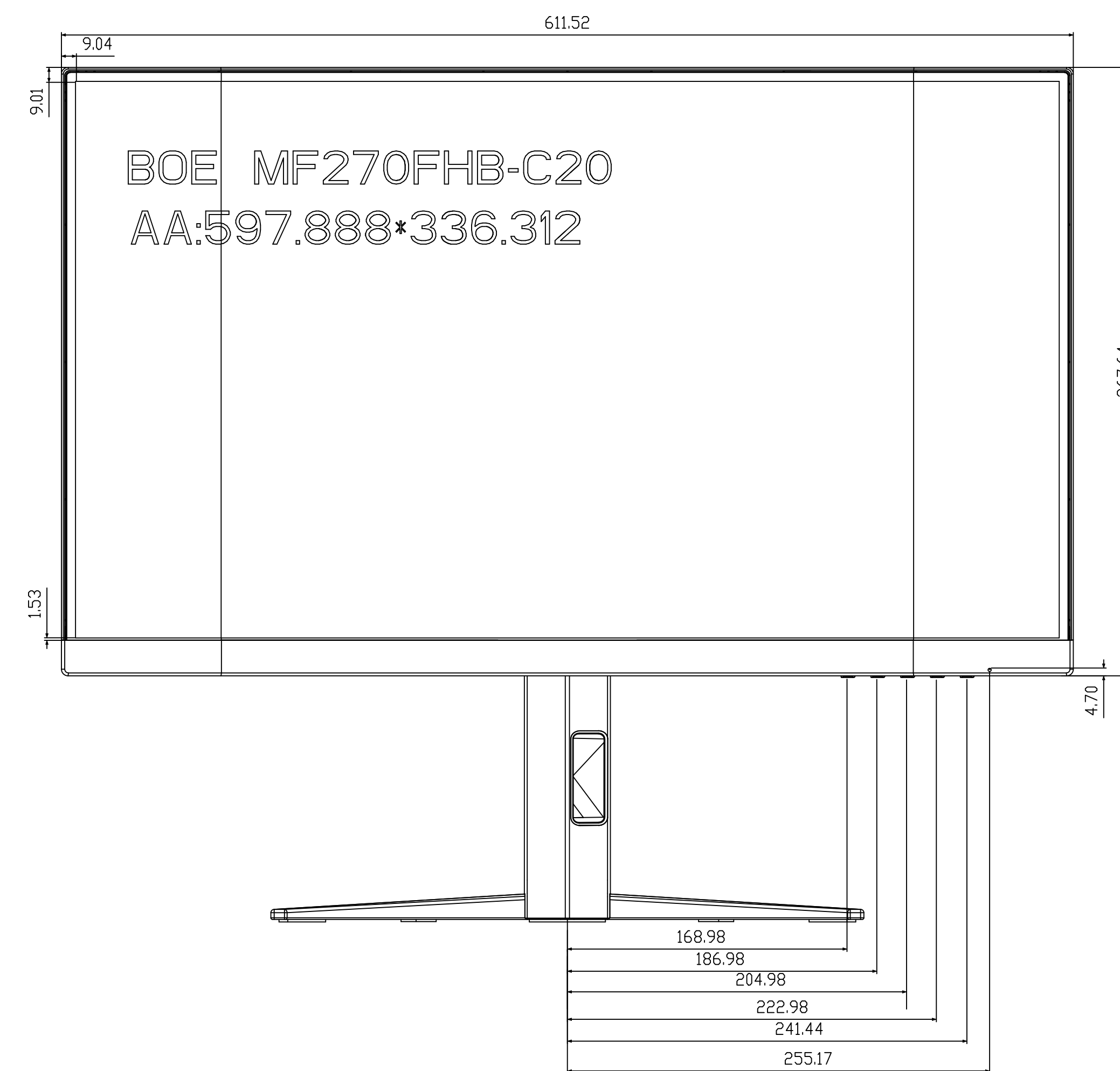
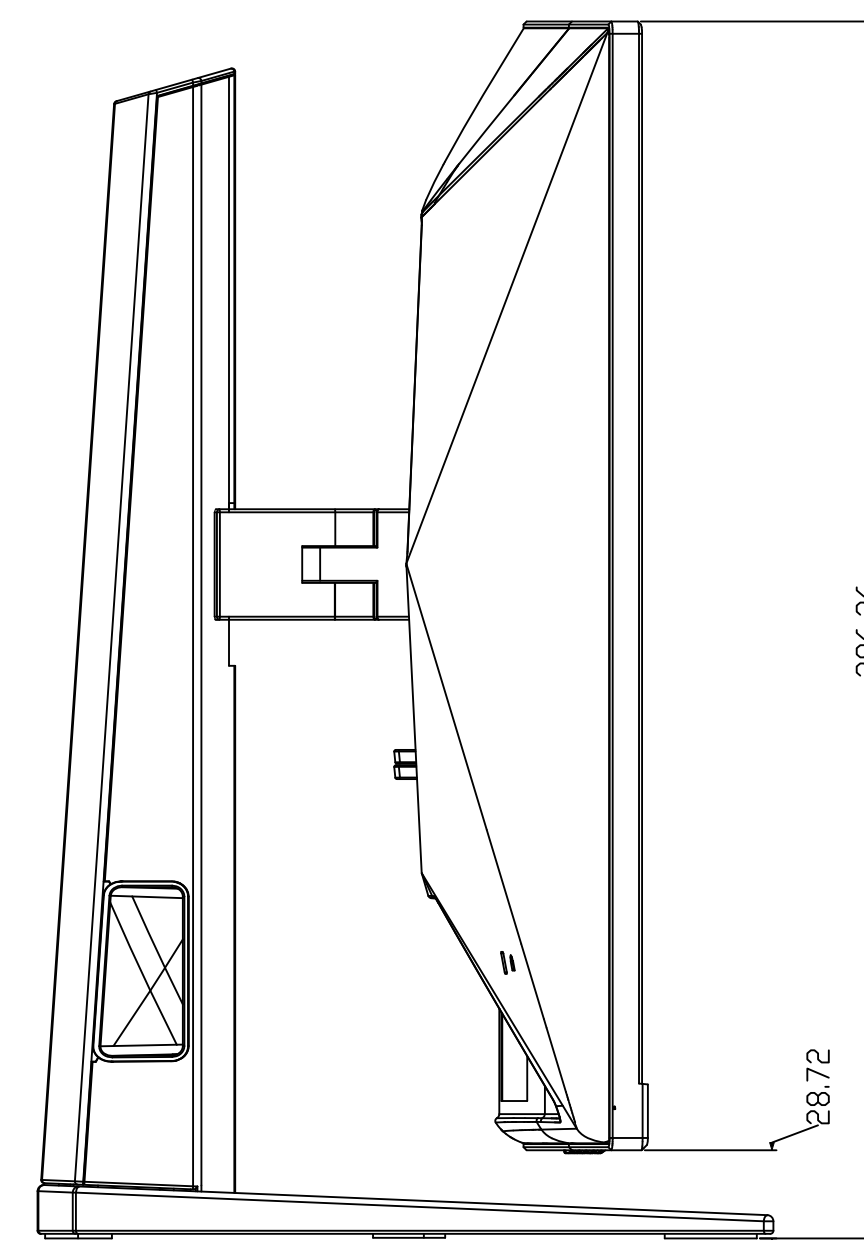


C27G4Z2



Angle of swivel: ± 30 degree



Model: C27G4Z2		Draw: CL	
Unit mm	C27G4Z2 SHT191		
SCALE 1:1	3rd PROJ. 	SPEC: 1.Tilt: $\pm 5^{\circ} \sim 23^{\circ}$ 3.LF: ± 20 mm 2.Swivel: $\pm 30^{\circ}$	
SUPERS	AOC		1-1
DATE	19_Nov_2025		TP MNT