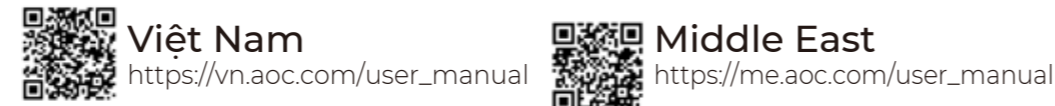
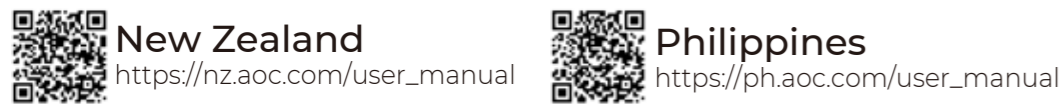
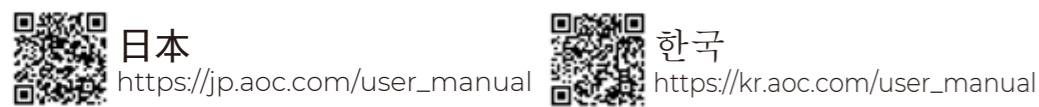
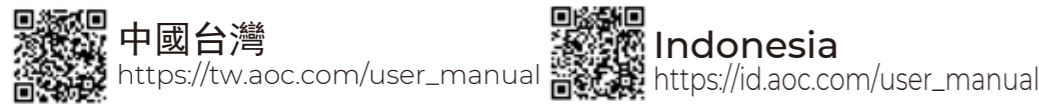
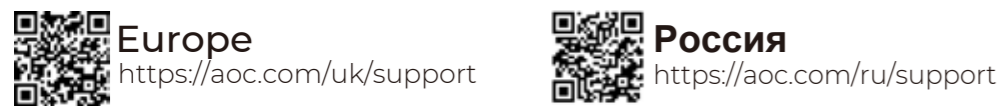
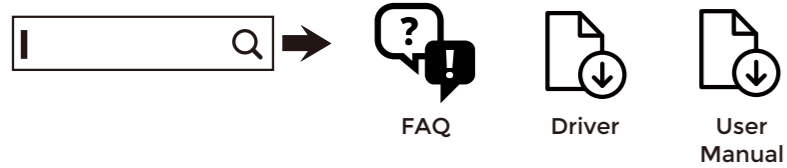


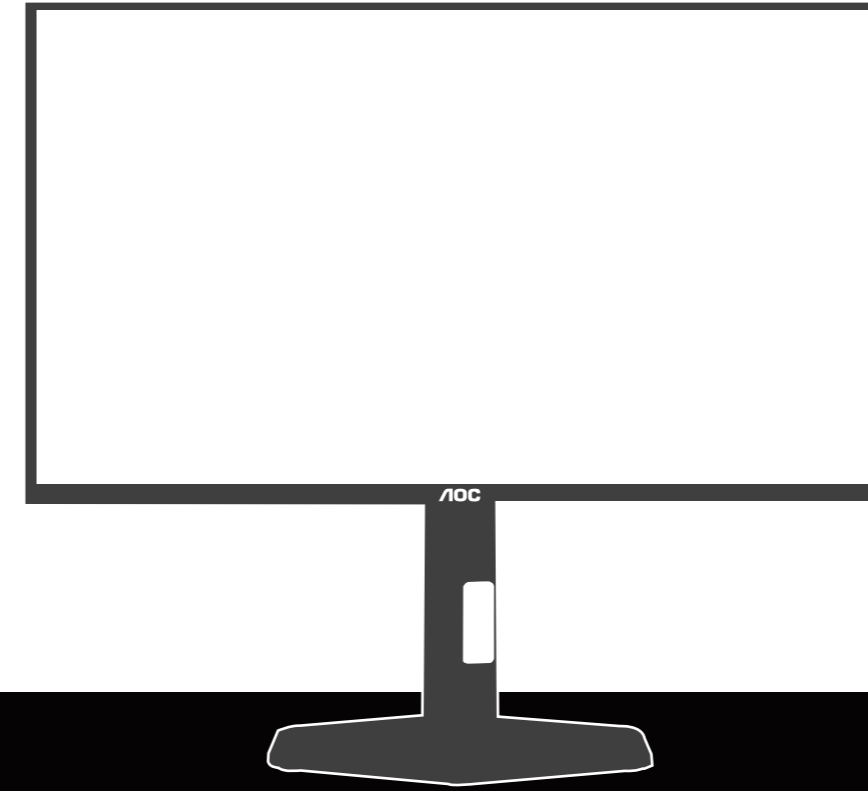
Find your product and get support



Product information for EU/UK Energy

H41G25M161578A

AOC GAMING



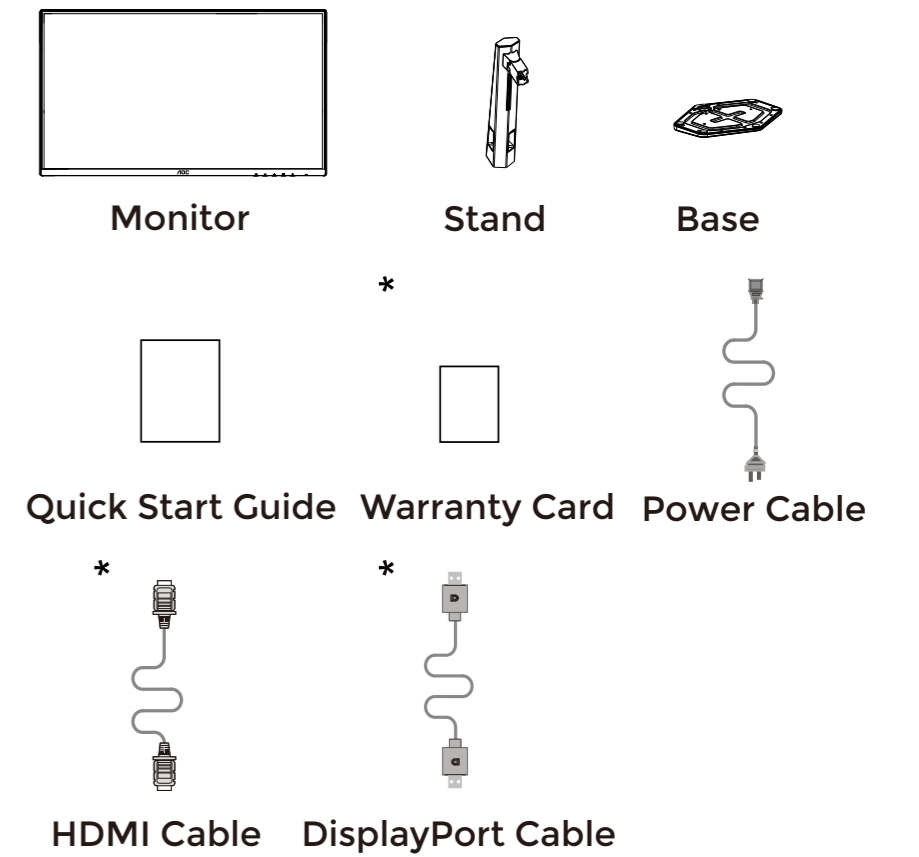
QUICK START GUIDE

25G4ZR

AOC GAMING MONITOR

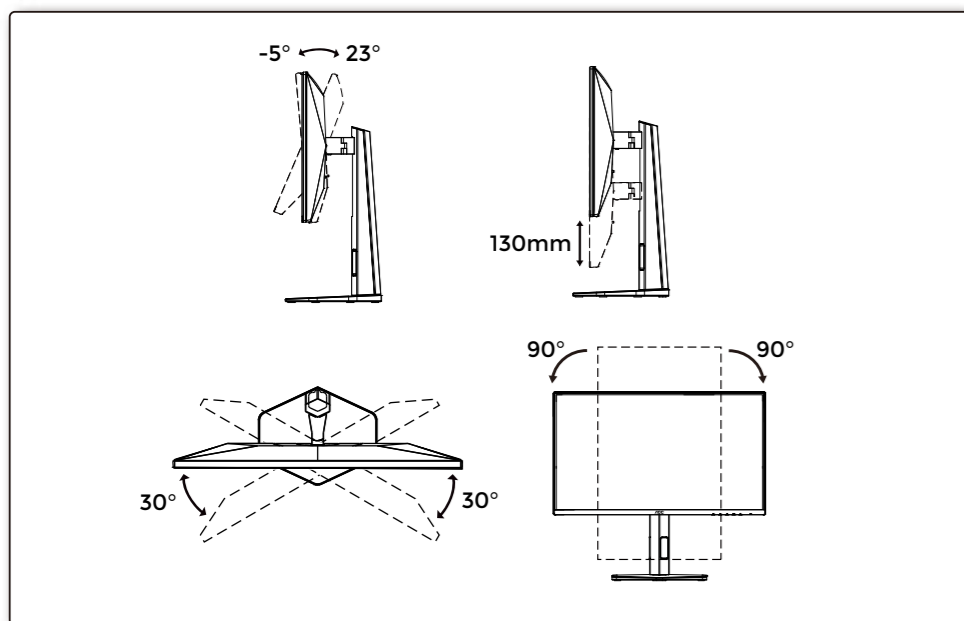
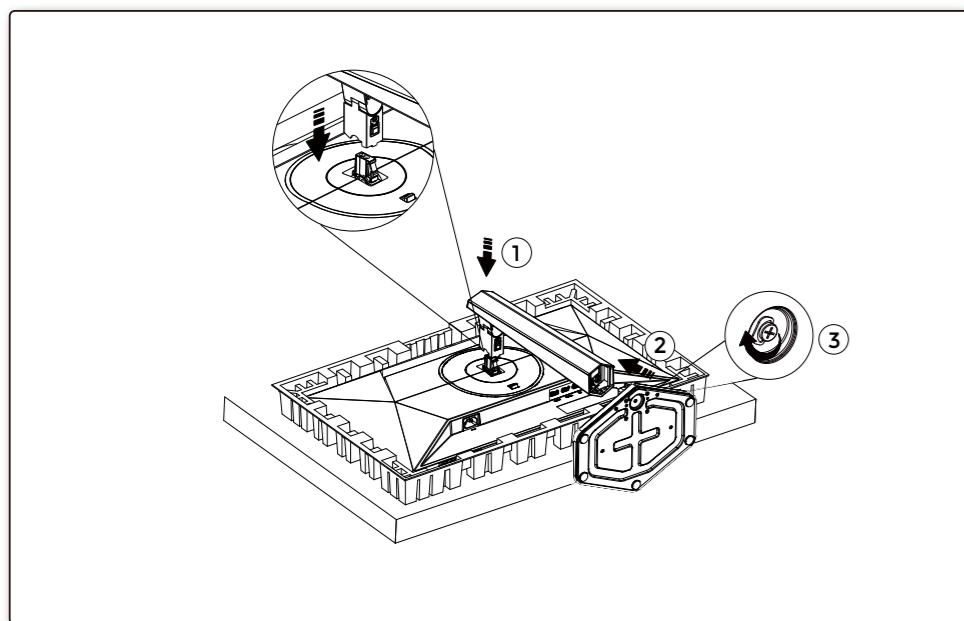
©2026 AOC. All rights reserved

WWW.AOC.COM

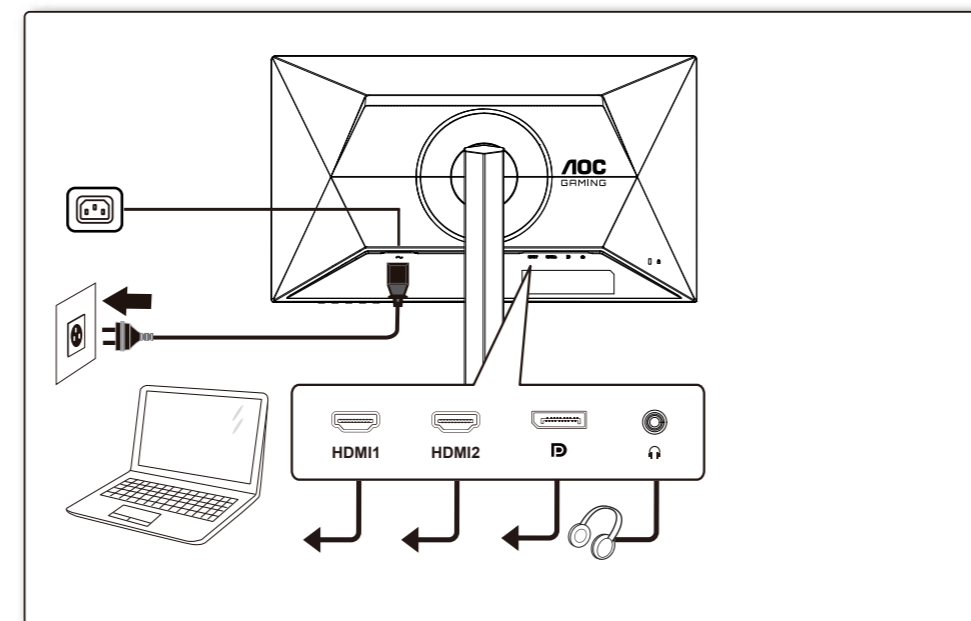
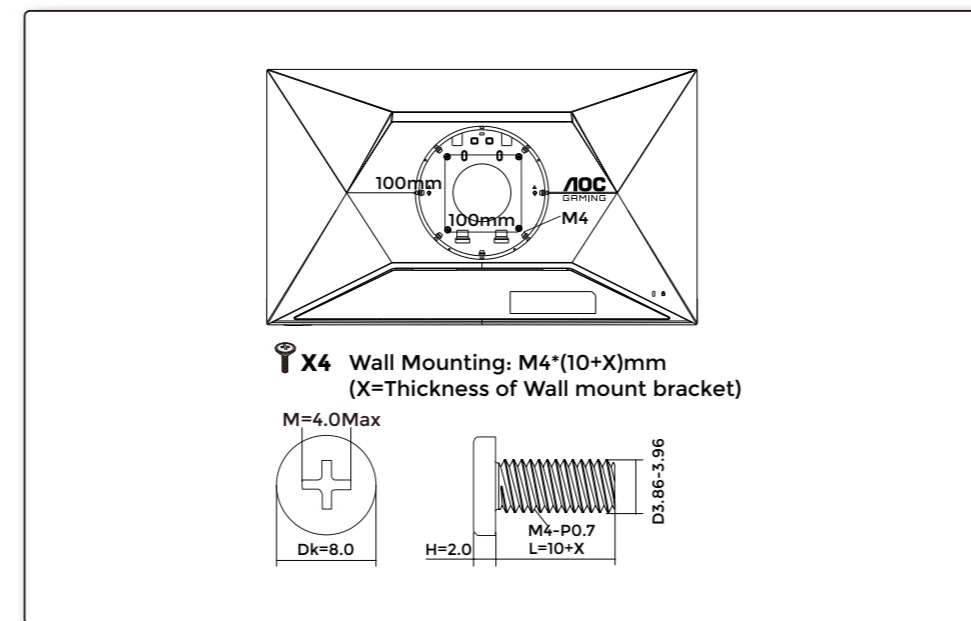


*Different according to countries/regions
Display design may differ from that illustrated

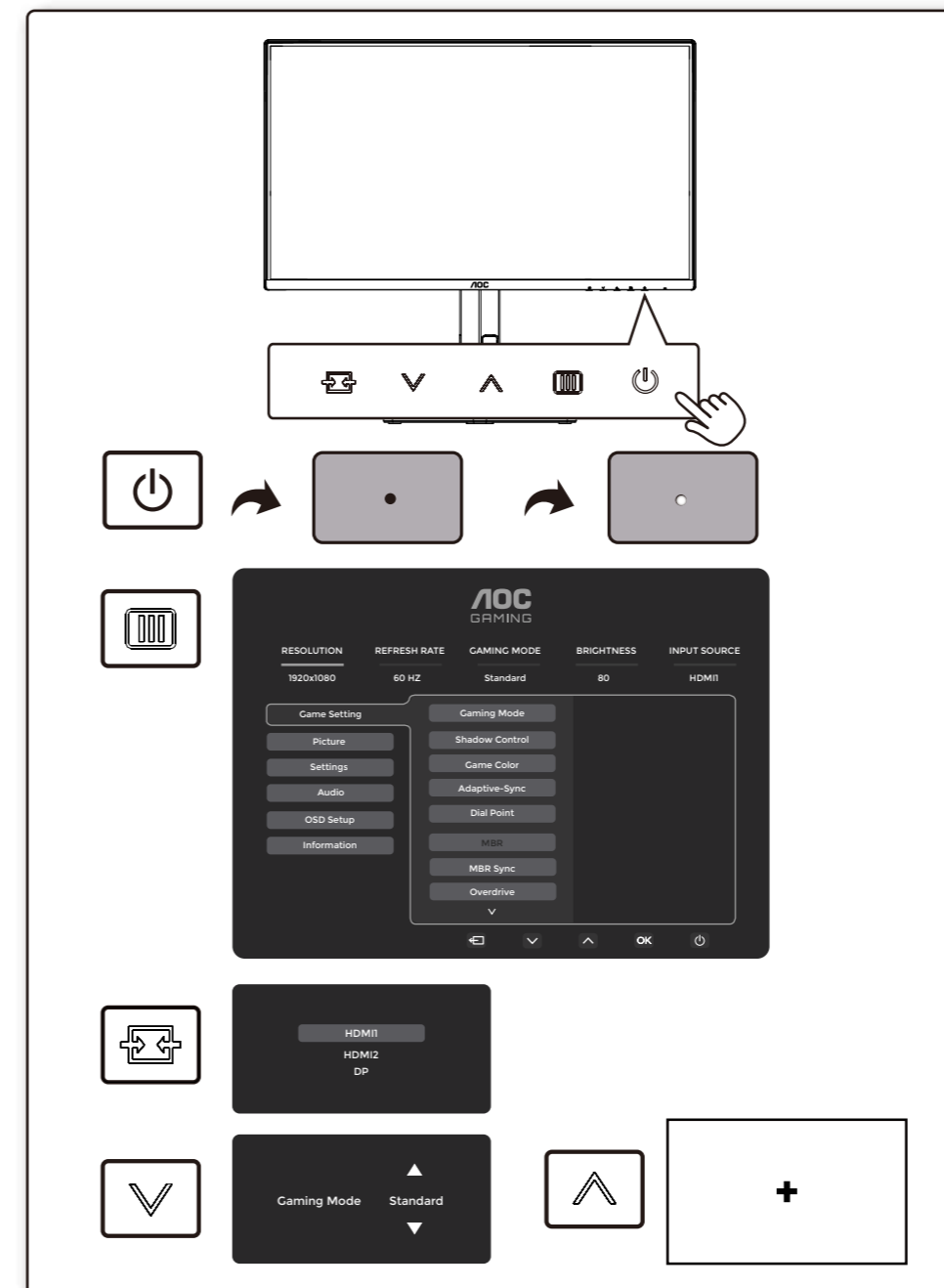
1



2



3



4

General Specification

Panel	Model Name	25G4ZR		
	Driving System	TFT Color LCD		
	Viewable Image Size	62.2cm Diagonal (24.5" Wide Screen)		
	Pixel Pitch	0.2832mm(H)x0.2802mm(V)		
Others	Horizontal Scan Range	30k~290kHz		
	Horizontal Scan Size(Maximum)	543.744mm		
	Vertical Scan Range	48~260Hz		
	Vertical Scan Size(Maximum)	302.616mm		
	Max Resolution	1920x1080@260Hz*		
	Plug & Play	VESA DDC2B/CI		
	Power Source	100-240V~ 50/60Hz 1.5A		
	Power Consumption	Typical (default brightness and contrast)	18W	
		Max. (brightness=100, contrast=100)	≤ 35W	
	Standby Mode			≤ 0.3W
Dimensions(with stand)		560.1x(380.6~498.5)x207.6mm(WxHxD)		
Net Weight	4.61kg			
Physical Characteristics	Connector Type	HDMIx2/DisplayPort/Earpone		
	Signal Cable Type	Detachable		
Environmental	Temperature	Operating	0°C~ 40°C	
		Non-Operating	-25°C~55°C	
	Humidity	Operating	10%~85% (Non-Condensing)	
		Non-Operating	5%~93% (Non-Condensing)	
	Altitude	Operating	0m~5000m (0ft~16404ft)	
		Non-Operating	0m~12192m (0ft~40000ft)	

*: Overclocking is achieved when resolution is at 1920x1080@260Hz. If any display error occurs during overclocking, please adjust the refresh rate to 240Hz.