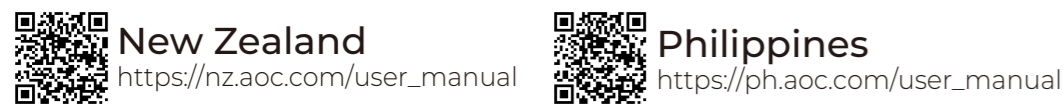
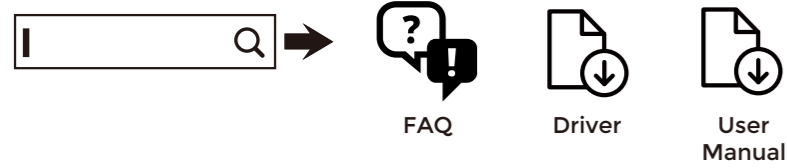


## Find your product and get support

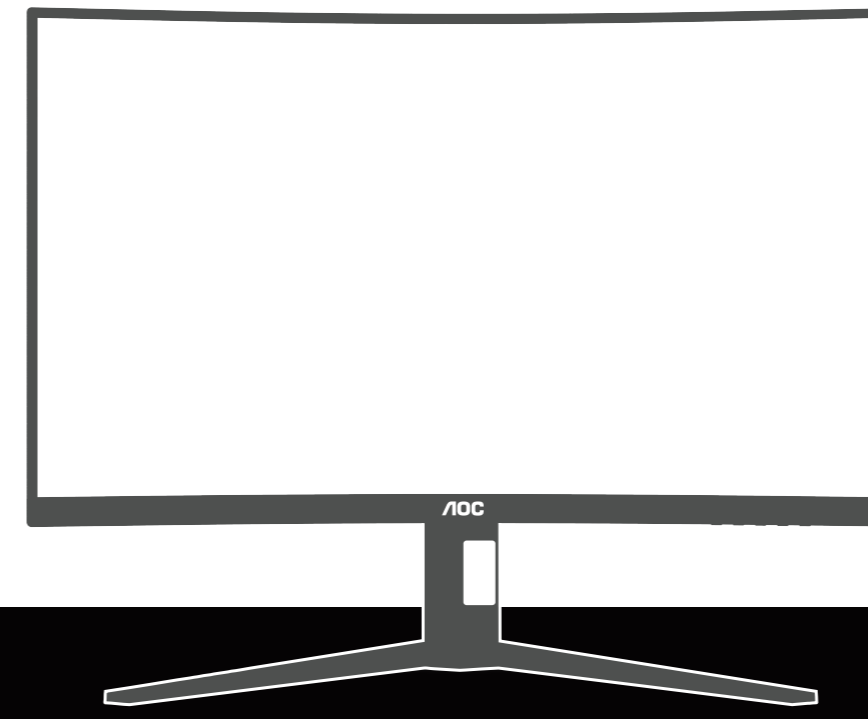


Product information for EU/UK Energy



Q41G32M261513A

# AOC GAMING



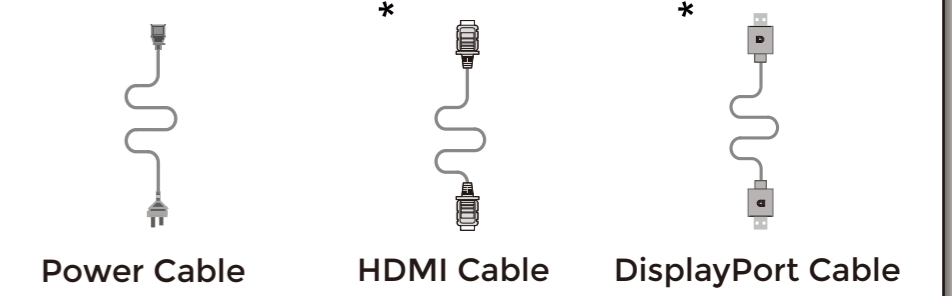
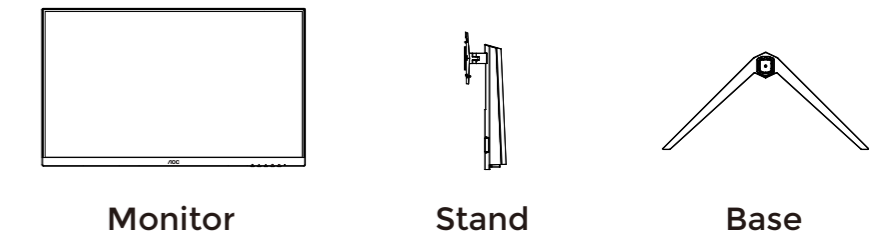
## QUICK START GUIDE

### C32G4Z

AOC GAMING MONITOR

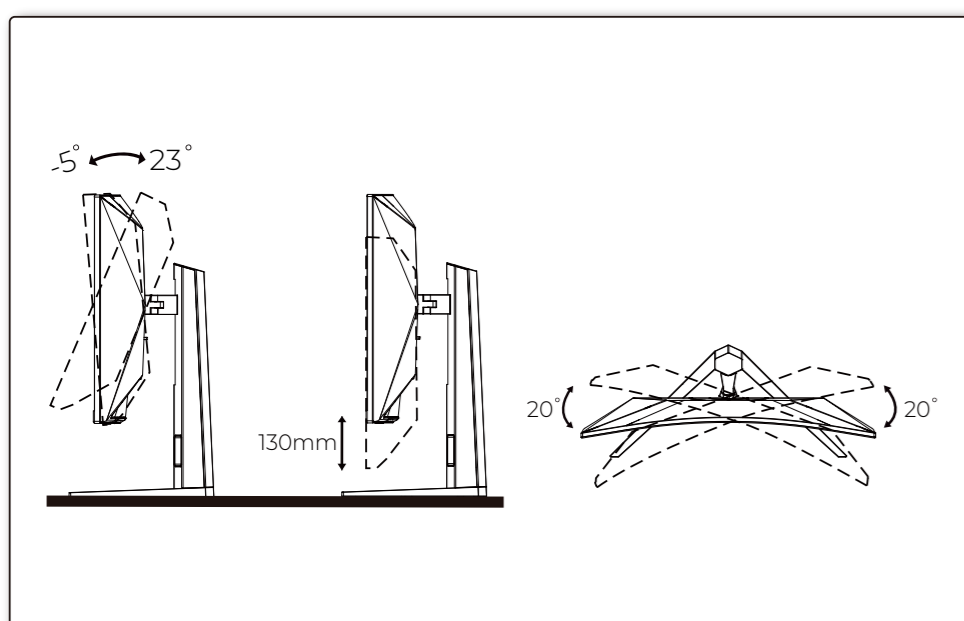
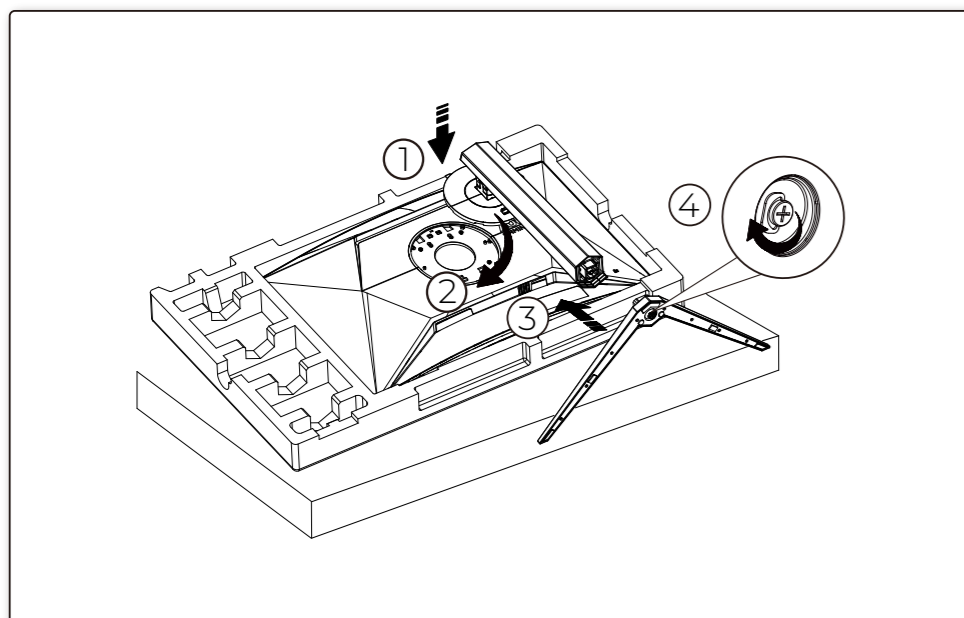
©2025 AOC. All rights reserved

WWW.AOC.COM

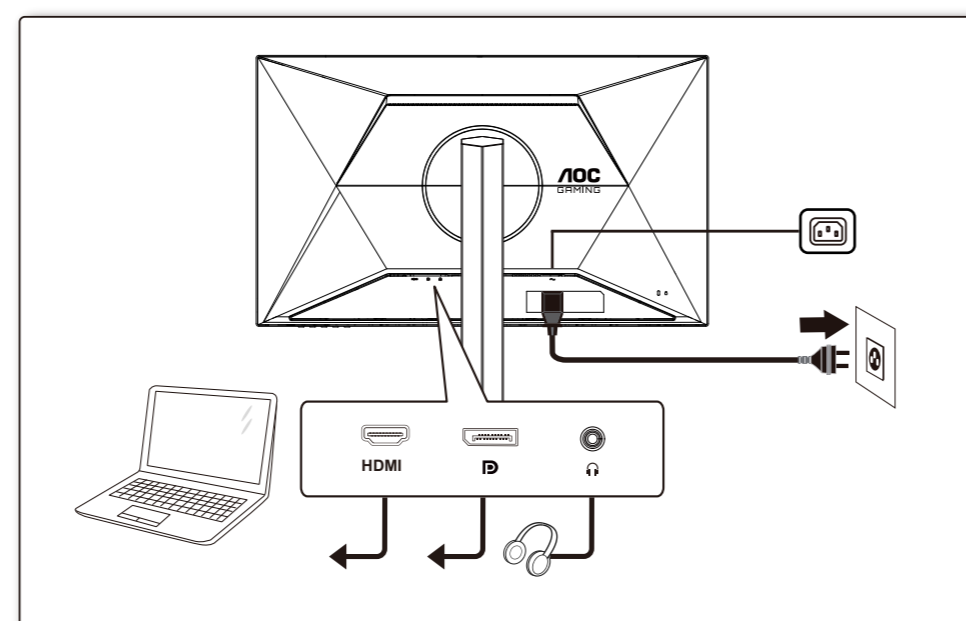
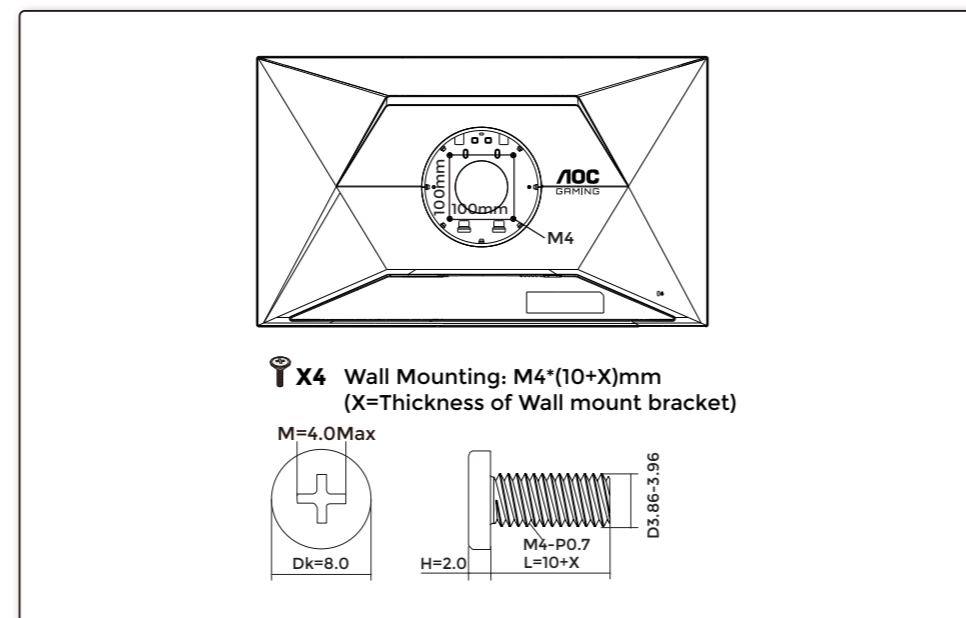


\*Different according to countries/regions  
Display design may differ from that illustrated

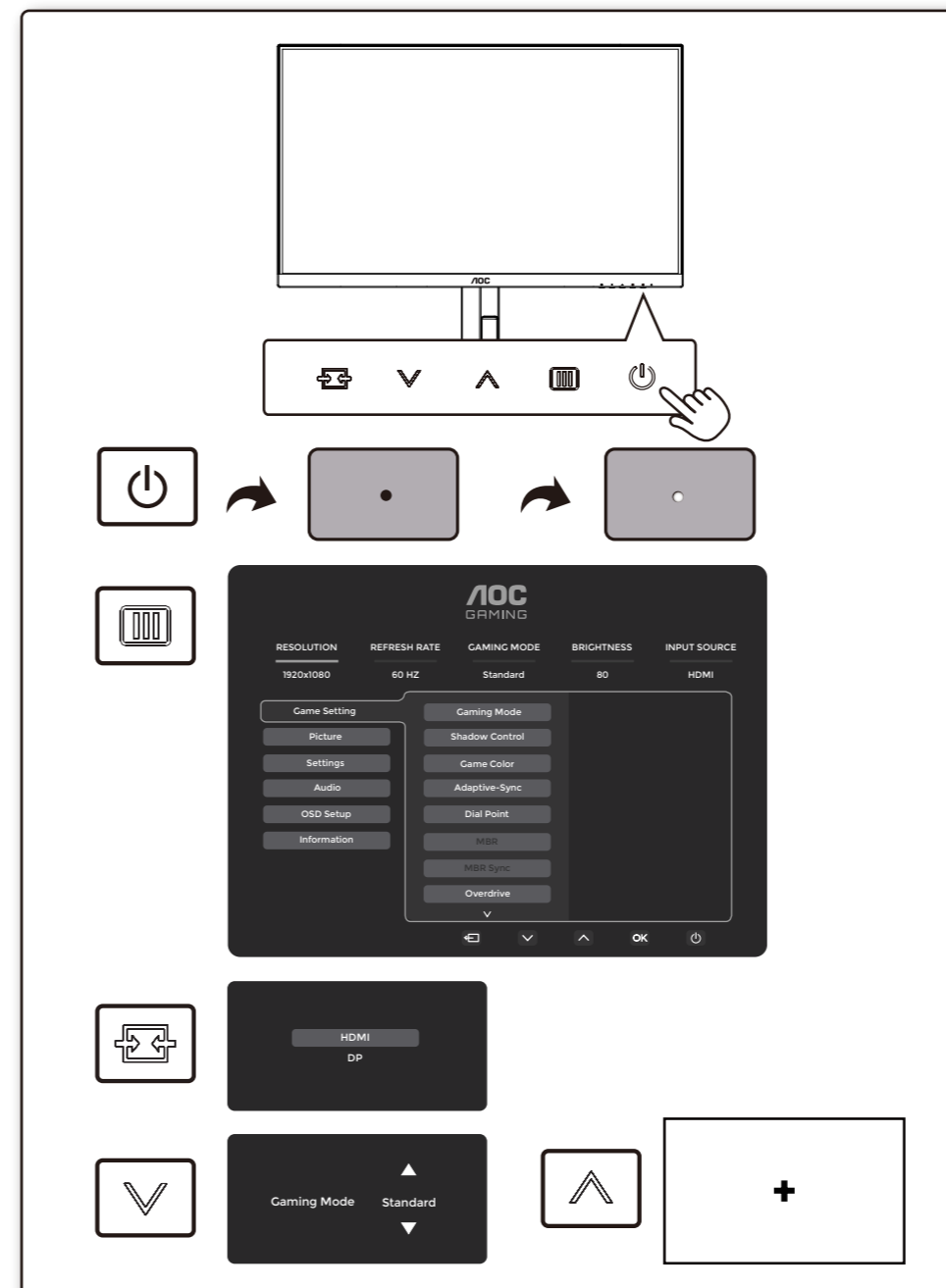
# 1



# 2



# 3



# 4

## General Specification

Panel	Model Name	C32G4Z		
	Driving System	TFT Color LCD		
	Viewable Image Size	80.1cm diagonal(31.5" Wide Screen)		
	Pixel Pitch	0.36375mm(H) x 0.36375mm(V)		
Others	Horizontal Scan Range	30k-290kHz		
	Horizontal Scan Size(Maximum)	698.4mm		
	Vertical Scan Range	48-260Hz		
	Vertical Scan Size(Maximum)	392.85mm		
	Max Resolution	1920x1080@260Hz*		
	Plug & Play	VESA DDC2B/CI		
	Power Source	100-240V~ 50/60Hz 1.5A		
	Power Consumption	Typical (default brightness and contrast)	26W	
		Max. (brightness =100, contrast =100)	≤ 63W	
	Standby Mode			≤ 0.3W
Dimensions(with stand)		709.4x(461.5-591.5)x269.4mm(WxHxD)		
Physical Characteristics	Net Weight	8.00kg		
	Connector Type	HDMI/DisplayPort/Earphone		
	Signal Cable Type	Detachable		
Environmental	Built-In Speaker	5Wx2		
	Temperature	Operating	0°C~ 40°C	
		Non-Operating	-25°C~55°C	
	Humidity	Operating	10%~85% (Non-Condensing)	
		Non-Operating	5%~93% (Non-Condensing)	
Altitude	Operating	0m~5000m (0ft~16404ft)		
	Non-Operating	0m~12192m (0ft~40000ft)		

\*Overclocking is achieved when resolution is at 1920x1080@260Hz. If any display error occurs during overclocking, please adjust the refresh rate to 240Hz.